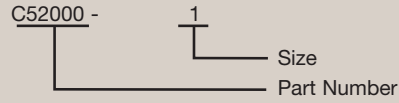


Accessories - Sealing Gasket (MS52000 Type) - C52000



- Material: Polychloroprene

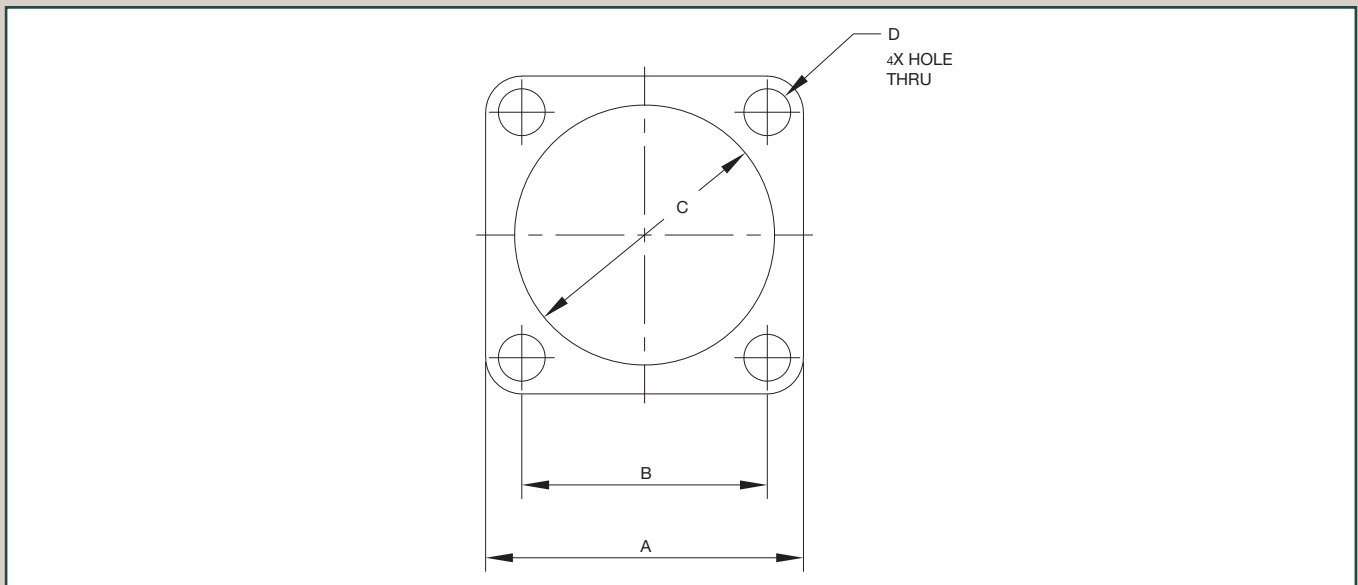


Accessories

DIMENSIONS					
PART NUMBER	SHELL SIZE	A REF.	B REF.	C DIA. REF.	D DIA. REF.
C52000-1	10SL	1.00 (25.4)	0.72 (18.3)	0.63 (15.9)	0.17 (4.4)
C52000-2	12, 12S	1.09 (27.8)	0.81 (20.6)	0.75 (19.1)	0.17 (4.4)
C52000-3	14, 14S	1.19 (30.2)	0.91 (23.0)	0.88 (22.2)	0.17 (4.4)
C52000-4	16, 16S	1.28 (32.5)	0.97 (24.6)	1.00 (25.4)	0.17 (4.4)
C52000-5	18	1.38 (34.9)	1.06 (27.0)	1.13 (28.6)	0.20 (5.2)
C52000-6	20	1.50 (38.1)	1.16 (29.4)	1.25 (31.8)	0.20 (5.2)
C52000-7	22	1.63 (41.3)	1.25 (31.8)	1.38 (34.9)	0.20 (5.2)
C52000-8	24	1.75 (44.5)	1.38 (34.9)	1.50 (38.1)	0.20 (5.2)
C52000-9	28	2.00 (50.8)	1.56 (39.7)	1.75 (44.5)	0.20 (5.2)
C52000-10	32	2.25 (57.2)	1.75 (44.5)	2.00 (50.8)	0.22 (5.6)
C52000-11	36	2.50 (63.5)	1.94 (49.2)	2.25 (57.1)	0.22 (5.6)

Note: Dimensions in inches (mm).

Gasket Thickness Ref. 0.56 (1.4)

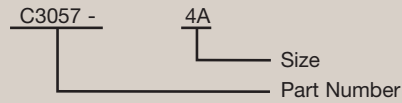


Industrial 5015

Backshell (MS3057 Type) - C3057



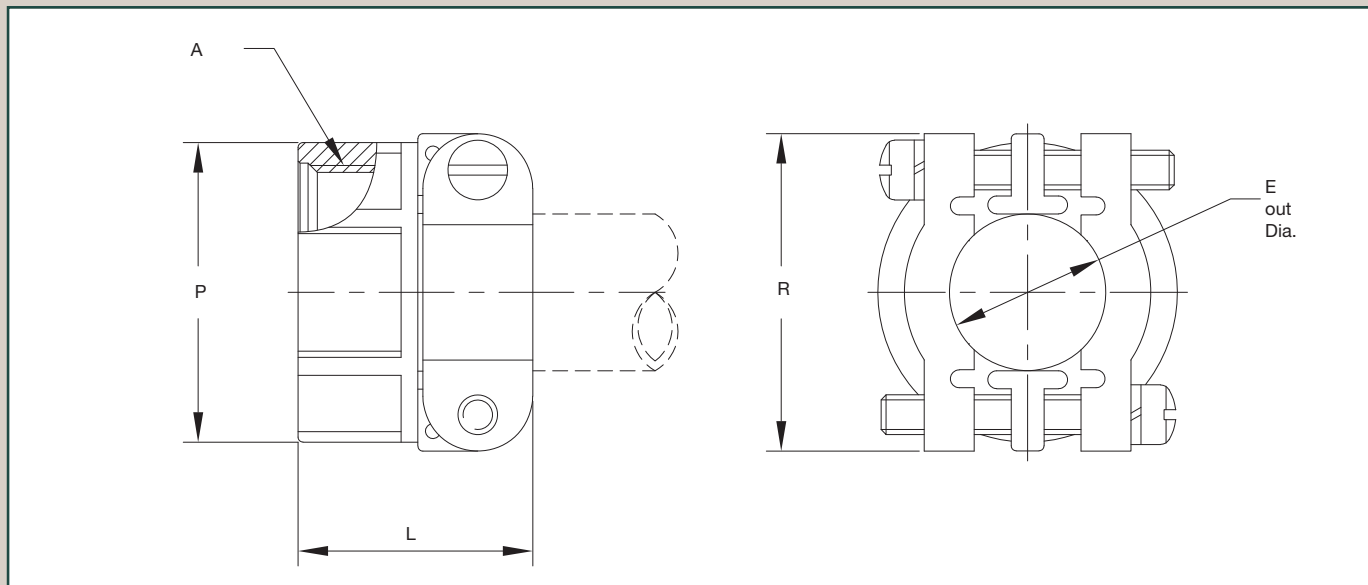
- Use with C3420 rubber bushing for full protection of cable jacket or wire bundles.



Accessories

DIMENSIONS						
PART NUMBER	SHELL SIZE	E CABLE OUTLET MAX.	L REF.	P REF.	R REF.	A THREAD
C3057-4A	10SL,12,12S	0.31 (7.9)	0.81 (20.6)	0.81 (20.6)	0.87 (22.2)	5/8-24UNEF
C3057-6A	14,14S	0.44 (11.1)	0.87 (22.2)	0.97 (24.6)	1.06 (27.0)	3/4-20UNEF
C3057-8A	16,16S	0.56 (14.3)	0.94 (23.8)	1.09 (27.8)	1.16 (29.4)	7/8-20UNEF
C3057-10A	18	0.63 (15.9)	0.94 (23.8)	1.19 (30.2)	1.25 (31.8)	1-20UNEF
C3057-12A	20, 22	0.75 (19.1)	0.94 (23.8)	1.37 (34.9)	1.47 (37.3)	1 3/16-18UNEF
C3057-16A	24, 28	0.94 (23.8)	1.03 (26.2)	1.66 (42.1)	1.69 (42.9)	1 7/16-18UNEF
C3057-20A	32	1.25 (31.8)	1.09 (27.8)	2.03 (51.6)	2.03 (51.6)	1 3/4-18UNS
C3057-24A	36	1.37 (34.9)	1.16 (29.4)	2.22 (56.4)	2.28 (57.9)	2-18UNEF

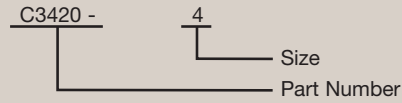
Note: Dimensions in inches (mm).



Rubber Bushing (MS3420 Type) - C3420

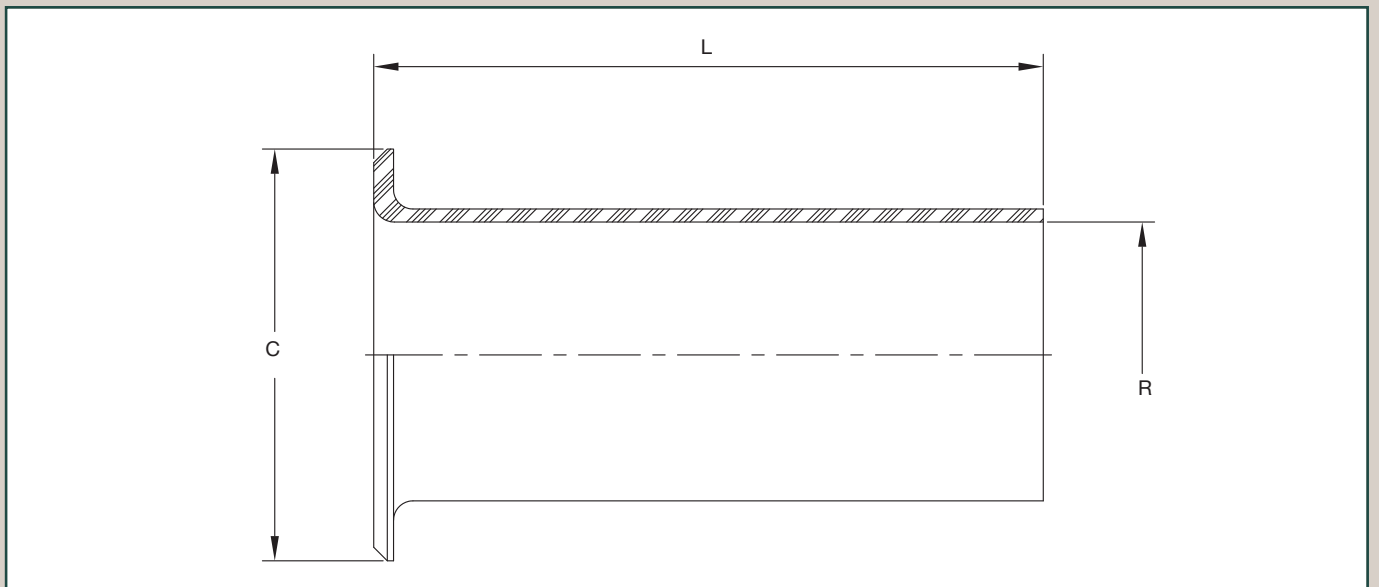


- Use with C3057 backshell for the full protection of cable jacket or wire bundles.



DIMENSIONS				
PART NUMBER	SHELL SIZE	C REF.	L REF.	R REF.
C3420-4	10SL,12,12S	0.51 (12.8)	2.75 (69.9)	0.22 (5.6)
C3420-6	14, 14S	0.62 (15.7)	2.63 (66.7)	0.31 (7.9)
C3420-8	16, 16S	0.74 (18.9)	2.50 (63.5)	0.44 (11.1)
C3420-10	18	0.87 (22.1)	2.37 (60.3)	0.56 (14.3)
C3420-12	20, 22	1.06 (27.0)	2.25 (57.2)	0.63 (15.9)
C3420-16	24, 28	1.31 (33.4)	2.13 (54.0)	0.75 (19.1)
C3420-20	32	1.60 (40.5)	2.00 (50.8)	0.94 (23.8)
C3420-24	36	1.85 (46.9)	1.87 (47.6)	1.25 (31.8)

Note: Dimensions in inches (mm).



Protective Cap- Receptacle (MS25043 Type) - C25043

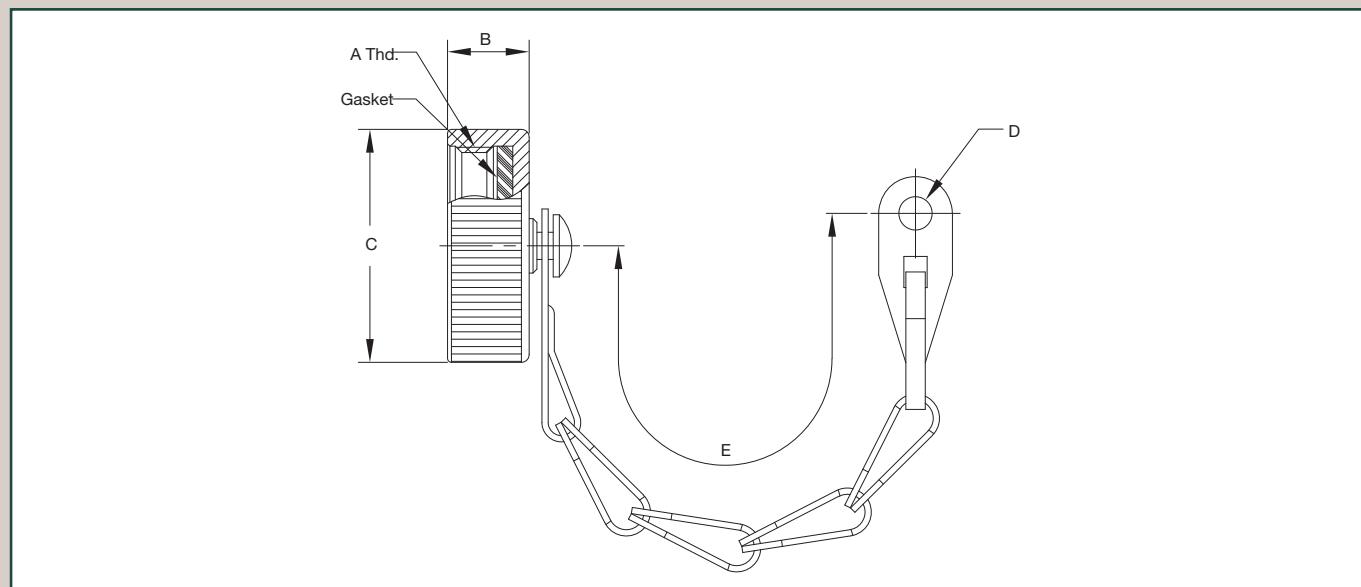


- Designed to protect all classes of C3100, C3101, and C3102 receptacle connectors.

C25043 - 18D
 Size
 Part Number

DIMENSIONS						
PART NUMBER	SHELL SIZE	B MAX.	C DIA. MAX.	E REF.	D DIA. REF.	A THREAD
C25043-10D	10S,10SL	0.47 (11.9)	0.81 (20.7)	4.00 (101.6)	0.14 (3.6)	5/8-24UNEF
C25043-12D	12S,12SL	0.47 (11.9)	1.00 (25.4)	4.50 (114.3)	0.14 (3.6)	3/4-20UNEF
C25043-14D	14,14S	0.47 (11.9)	1.01 (25.6)	4.50 (114.3)	0.14 (3.6)	7/8-20UNEF
C25043-16D	16,16S	0.47 (11.9)	1.19 (30.2)	4.50 (114.3)	0.14 (3.6)	1-20UNEF
C25043-18D	18	0.47 (11.9)	1.34 (34.1)	4.50 (114.3)	0.14 (3.6)	1 1/8-18UNEF
C25043-20D	20	0.47 (11.9)	1.47 (37.3)	5.00 (127.0)	0.14 (3.6)	1 1/4-18UNEF
C25043-22D	22	0.47 (11.9)	1.59 (40.5)	5.00 (127.0)	0.14 (3.6)	1 3/8-18UNEF
C25043-24D	24	0.47 (11.9)	1.72 (43.7)	5.50 (139.7)	0.17 (4.3)	1 1/2-18UNEF
C25043-28D	28	0.53 (13.5)	1.97 (50.0)	7.75 (196.9)	0.17 (4.3)	1 3/4-18UNEF
C25043-32D	32	0.53 (13.5)	2.22 (56.4)	7.75 (196.9)	0.19 (4.8)	2-18UNS
C25043-36D	36	0.53 (13.5)	2.47 (62.7)	7.75 (196.9)	0.19 (4.8)	2 1/4-16UN

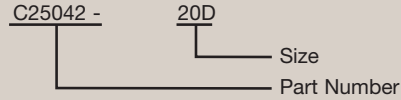
Note: Dimensions in inches (mm).



Protective Cap - Plug (MS25042 Type) - C25042



- Designed to protect all classes of C3106, C3108, and C25183 plugs.



DIMENSIONS						
PART NUMBER	SHELL SIZE	B MAX.	C DIA. MAX.	E REF.	D DIA. REF.	A THREAD
C25042-10D	10S,10SL	0.66 (16.7)	0.69 (17.5)	4.50 (114.3)	0.16 (4.0)	5/8-24UNEF
C25042-12D	12S,12SL	0.84 (21.4)	0.81 (20.6)	5.00 (127.0)	0.16 (4.0)	3/4-20UNEF
C25042-14D	14,14S	0.84 (21.4)	0.94 (23.8)	5.00 (127.0)	0.16 (4.0)	7/8-20UNEF
C25042-16D	16S,16SL	0.84 (21.4)	1.06 (27.0)	5.00 (127.0)	0.16 (4.0)	1-20UNEF
C25042-18D	18	0.84 (21.4)	1.19 (30.2)	5.00 (127.0)	0.16 (4.0)	1 1/8-18UNEF
C25042-20D	20	0.84 (21.4)	1.31 (33.3)	5.50 (139.7)	0.19 (4.8)	1 1/4-18UNEF
C25042-22D	22	0.84 (21.4)	1.44 (36.5)	5.50 (139.7)	0.19 (4.8)	1 3/8-18UNEF
C25042-24D	24	0.84 (21.4)	1.56 (39.7)	6.00 (152.4)	0.19 (4.8)	1 1/2-18UNEF
C25042-28D	28	0.84 (21.4)	1.81 (46.0)	8.25 (209.6)	0.19 (4.8)	1 3/4-18UNEF
C25042-32D	32	0.84 (21.4)	2.06 (52.4)	8.25 (209.6)	0.22 (5.5)	2-18UNS
C25042-36D	36	0.84 (21.4)	2.31 (58.7)	8.25 (209.6)	0.22 (5.5)	2 1/4-16UN

Note: Dimensions in inches (mm).

